

UV-C MICROBE INACTIVATOR

LED Ultraviolet Microorganism Inactivation Wand
Model: XLP 64.15.384





Features:

- Patented Design
- Inactivates Virus 1.5 secs
- Irritation level 1"
- Beeping sensor switch
- Ergonomic Handle
- Premium UV-C LEDs
- Aluminum extrusion
- High impact lenses
- Expandable design
- Safety gravity switch
- Industrial strength
- USB-C Power input

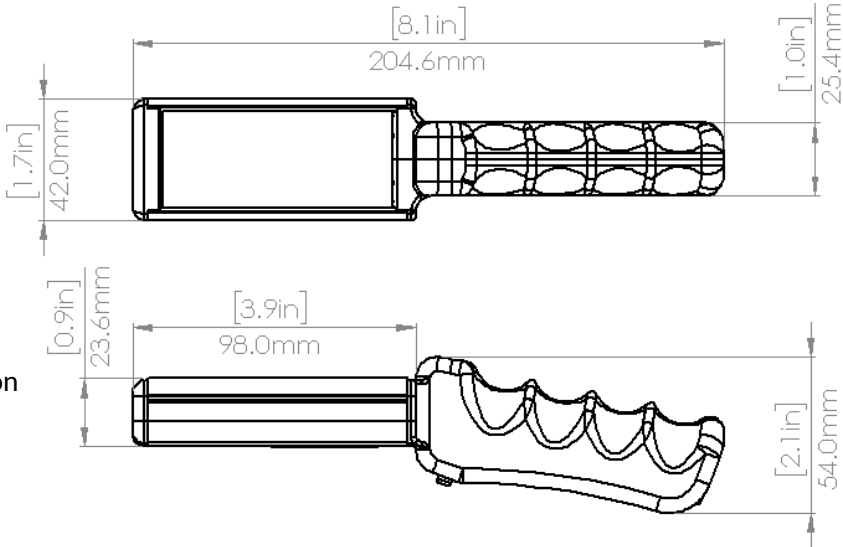


64 UV-C LED Inactivation Wand

Caution: UV-C energy. Must where required safety equipment.

Specifications:

- Wave frequency 275-280 nM
- Wattage 15w power
- Energy output 384 mW
- 384mW.S=0.384J
- 120° degree distribution
- Voltage: 5V USB.
- Materials:
 - Housing: Aluminum Extrusion
 - Handel: Plastic, ABS
 - Lenses: Cristal Glass



Part No. 6415384 - 64 - 157 - 384 - 1.5 sec at 0.5J

UV-C LED

Power Watts

Diode mW

nactivation

