

# UV-C MICROBE INACTIVATOR

LED Ultraviolet Microorganism Inactivation Wand  
Model: SLP 50.12.300



## Features:

- Patented Design
- Inactivates Virus 2 sec
- Irritation level 1"
- Beeping sensor switch
- Ergonomic Handle
- Premium UV-C LEDs
- Aluminum extrusion
- High impact lenses
- Expandable design
- Safety gravity switch
- Industrial strength
- USB Power input

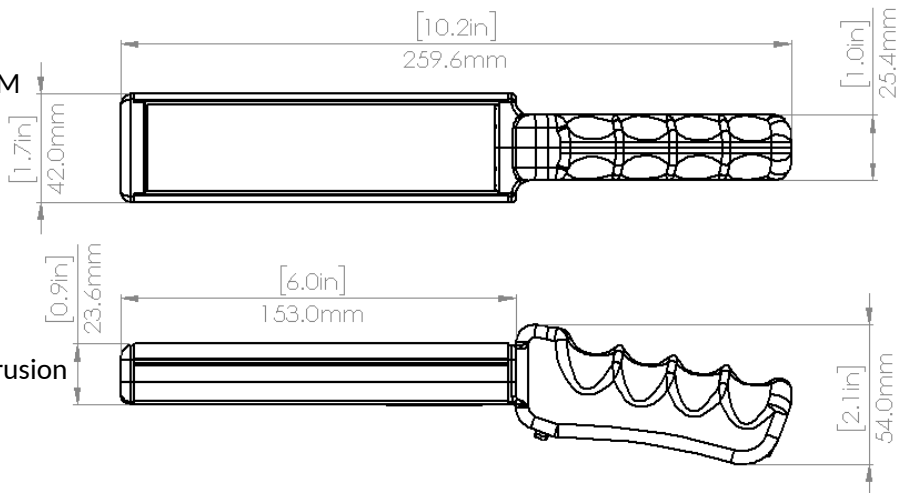


50 UV-C LED Inactivation Wand

**Caution: UV-C energy. Must where required safety equipment.**

## Specifications:

- Wave frequency 275 -280 nM
- Wattage 12w power
- Energy output 300 mW
- 300mW.S=0.300J
- 120° degree distribution
- Voltage: 5V USB.
- Materials:
  - Housing: Aluminum Extrusion
  - Handel: Plastic, ABS
  - Lenses: Cristal Glass



Part No. 5012250 - 50 - 12 - 300 - 2 sec at 0.5J

UV-C LED

Power watts

Diode mW

nactivation

