

# UV-C MICROBE INACTIVATOR

LED Ultraviolet Microorganism Inactivation Wand  
 Model: XLP 128.30.640



## Features:

- **Patented Design**
- Inactivates Virus .75 sec
- Irritation level 1"
- Beeping sensor switch
- Ergonomic Handle
- Premium UV-C LEDs
- Aluminum extrusion
- High impact lenses
- Expandable design
- Safety gravity switch
- Industrial strength
- USB-C Power input

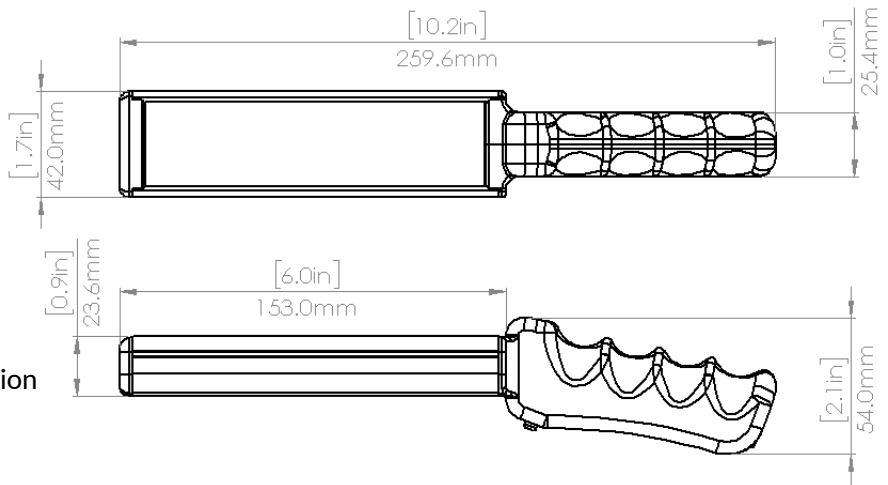


**128 UV-C LED Inactivation Wand**

**Caution: UV-C energy. Must where required safety equipment.**

## Specifications:

- Wave frequency 275 -280 nm
- Wattage 30w power
- Energy output 640 mW
- 640mW.S=0.640J
- 120° degree distribution
- Voltage: 5V USB.
- Materials:
  - Housing: Aluminum Extrusion
  - Handel: Plastic, ABS
  - Lenses: Cristal Glass
  - PWB: Glass epoxy



Part No. 12830640 - 128 - 30 - 640 - .75 sec at 0.5J

UV-C LED

Power Watts

Diode mW

nactivation

